

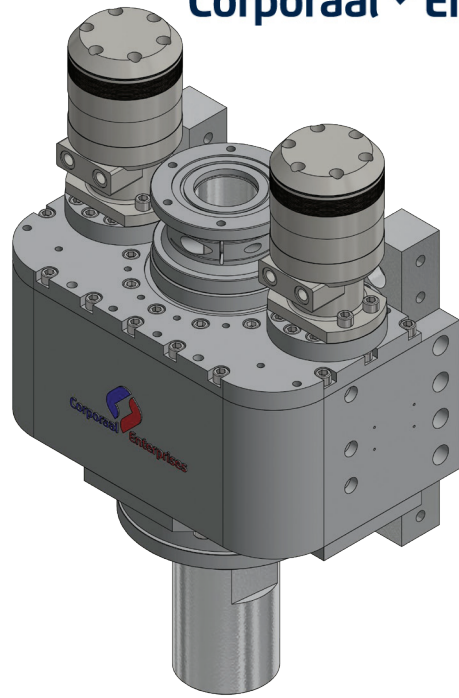


ROTARY HEADS

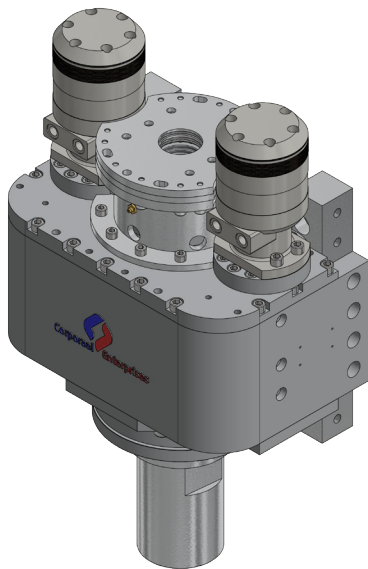
Corporaal Enterprises offers a range of rotary heads for Rigs of any size. CE can deliver heads to suit exploration, water well, Geo-technical, multi-purpose and gas drilling applications.

With such a huge range, CE will provide you a rotary head to maximize production and minimize cost. Each model has a quick to service load nut, for easy adjustment of bearing pre-load making servicing hassle free. The CE range is compatible with all common brand swivels and blow downs.

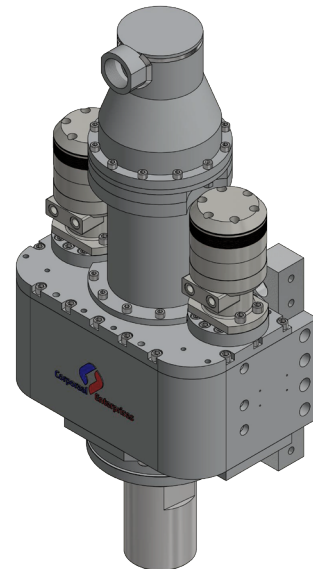
All rotary heads in the CE range are manufactured in Australia, assuring a quality product and quality service. See below specs on the more popular models.






RC CE8 BASIC - P2734-62



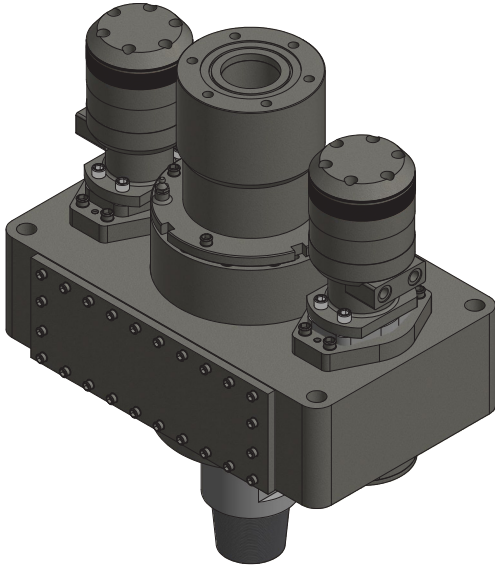
RC CE8 BD PEDESTAL - M3917-62



BH CE8 AIR PEDESTAL - M4753-62

MODEL	MOTORS	MOTOR MOUNT	PEAK RPMS	TORQUE OUTPUT	HYDRAULIC REQUIRMENTS	SHAFT FLOAT	ORDER CODE
RC CE8 BASIC	*PARKER TG335	 Magneto	85	5946 FT.LBS 8061 Nm	*3500 PSI/50 GPM	N/A	P2734-62
RC CE8 BD PEDISTAL	*PARKER TG335	 Magneto	85	5946 FT.LBS 8061 Nm	*3500 PSI/50 GPM	N/A	M3917-62
BH CE8 AIR PEDISTAL	*PARKER TG335	 Magneto	85	5946 FT.LBS 8061 Nm	*3500 PSI/50 GPM	76.2mm	M4753-62



Note: threads available - 3 1/2" IF BOX – Ø71mm, 3 1/2" IF PIN – Ø68mm, 2 3/8" REG BOX – Ø41mm.
OTHER MOTOR OPTIONS AVAILABLE ON REQUEST



TG280 PARKER

		PRESSURE IN PSI								lb - ft rpm
		500	1000	1500	2000	2500	3000	3500	4000	
FLOW IN GPM	1	560	1154	1761	2391					
	2	1	1	1	0					
	2	576	1178	1790	2413	3039	3673	4312	4955	
		4	3	3	2	2	1	1	1	
	3	596	1226	1862	2512	3148	3786	4423	5054	
		8	7	7	6	5	4	4	3	
	6	596	1243	1872	2512	3148	3786	4423	5054	
		12	11	11	10	9	8	7	6	
	8	597	1243	1891	2537	3182	3823	4460	5086	
		16	15	15	14	13	12	10	9	
	10	591	1245	1898	2552	3203	3846	4482	5110	
		20	19	19	18	16	15	14	13	
	14	578	1239	1901	2561	3218	3870	4513	5144	
		29	28	27	25	24	23	21	20	
	18	554	1224	1889	2550	3207	3858	4504	5145	
		37	36	35	33	32	30	28	27	
	24	520	1188	1858	2521	3176	3827	4475	5116	
		50	48	47	45	43	42	39	37	
	30	476	1147	1822	2492	3154	3809	4460	5101	
		63	61	58	57	55	53	50	48	
40	509	1047	1725	2400	3071	3733	4386	5034		
	84	81	79	76	74	71	69	66		
50	373	915	1583	2258	2936	3612	4278	4935		
	105	102	99	96	93	90	87	84		

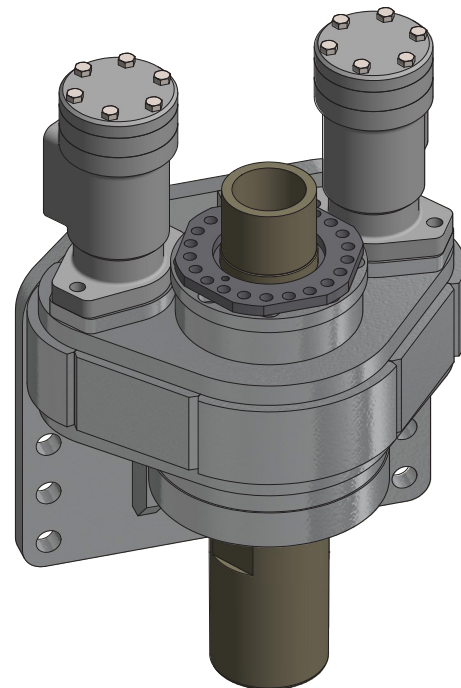
UNIVERSAL - M2721-62

MODEL	MOTORS	MOTOR MOUNT	PEAK RPMS	TORQUE OUTPUT	HYDRAULIC REQUIRMENTS	SHAFT FLOAT	ORDER CODE
UNIVERSAL ROTARY HEAD	*PARKER TG280		105	5099 FT.LBS 6913 Nm	*3000 PSI/50 GPM	76.2MM OR NONE OPTION	M2721-62
COMPACT HEAD	*EATON M22 2000 TWO SERIES MOTOR		121	2606 FT.LBS 3533 Nm	*3500 PSI/30 GPM	N/A	M2788-62

WHITE HB125

COMP HEAD 2:1

		PRESSURE IN PSI						lb-ft - rpm	EFFECIENCY
		1000	1500	2000	2500	3000	3500		
FLOW IN GPM	8	316 - 60	493 - 59	675 - 57	383 - 54	1008 - 51	1156 - 49	70-100%	
	12	301 - 99	491 - 89	658 - 87	824 - 85	995 - 82	1159 - 79	40-69%	
	16	296 - 120	473 - 120	656 - 118	847 - 118	996 - 111	1153 - 107	0-39%	
	20	280 - 150	453 - 149	640 - 149	804 - 146	980 - 141	1143 - 137		
	24	246 - 180	435 - 179	610 - 179	787 - 175	971 - 171	1197 - 154		
	28	242 - 210	431 - 209	600 - 209	792 - 207	978 - 201	1235 - 170		
	32	203 - 237	495 - 232	585 - 220	762 - 208	965 - 192	1140 - 171		
	36		568 - 539	631 - 249	820 - 236	1063 - 219	1137 - 192		
	40		605 - 289	721 - 284	856 - 269	1013 - 253	1202 - 227		
	44		445 - 320	594 - 312	766 - 299	944 - 282			
48		250 - 353	445 - 343	643 - 331	839 - 311				
50		232 - 368	409 - 362	618 - 347	796 - 335				



COMPACT - M2788-62